

39" TRAVIRA TABLE

ITEM - TV39TA

OXFORD GARDEN  
1729 Research Drive, Unit A Louisville, Kentucky 40299  
877.866.3331 (fax) 502.719.8888

### About Stainless Steel and Teak

Powder coated stainless steel takes metal to a new level of durability. Scratch and rust resistant and long lasting, powder coated stainless steel offers high quality with attractiveness. Teak is a tropical hardwood. Because of its high oil content it is resistant to rotting, bug infestation, and the effects of wind, rain, sun, and snow. If left untreated Teak weathers naturally to a beautiful silver gray color. Some surface roughness may develop, especially at the end grain, but over a period of about one year, the natural weathering process will stabilize. Small surface cracks that may appear in no way affect the structural integrity of the furniture.

### Care Instruction

Stainless steel requires little maintenance, however a regular cleaning is recommended to keep furniture looking new. Wash gently with a mild cleanser, rinse well and let dry. Teak weathers well however, we recommend a routine application of teak oil in extremely dry climates. A routine oiling is also recommended for furniture to be used for dining purposes to discourage staining from food and drink spills.

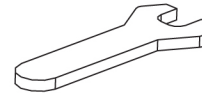
For seasonal cleaning rinse the Teak well and then scrub (using a sponge or soft bristle brush) with a mild solution of water, laundry detergent and a little bleach. Rinse with fresh water.

Paint or any products with polyurethane are not recommended, as application of these products will void the warranty.

For additional information regarding our warranty, please visit [www.oxfordgarden.com](http://www.oxfordgarden.com)

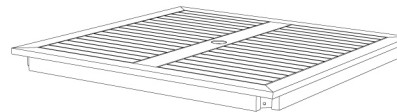
### Tools (included)

Hex Head Wrench  
QUANTITY: 1

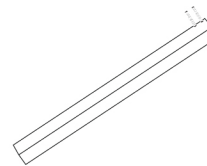


### Components

① Table Top Assembly  
QUANTITY: 1



② Corner Posts  
QUANTITY: 4



③ Parasol Hole Cap  
QUANTITY: 1



### Hardware

A Metal Washers  
QUANTITY: 8

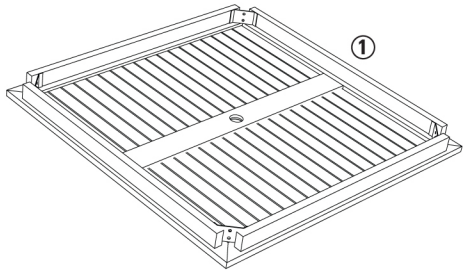


B Hex Nuts  
QUANTITY: 8



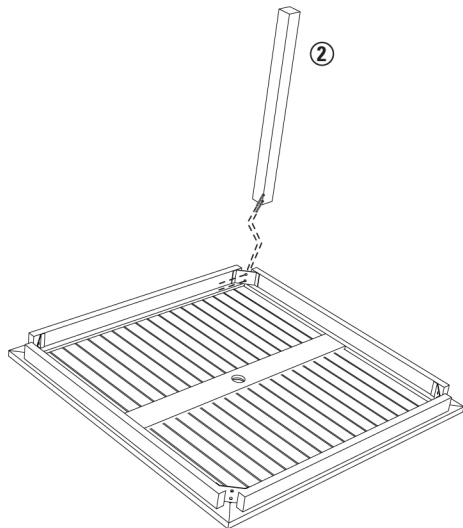
**Step 1**

On a clean flat surface, lay table ① top upside down.



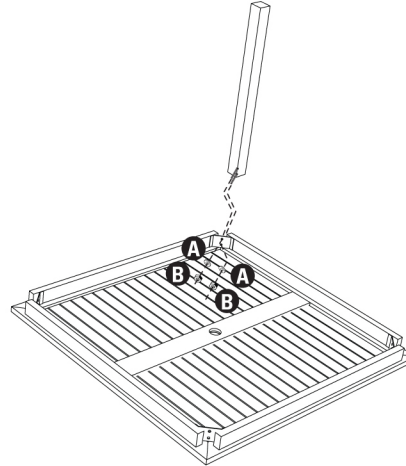
**Step 2**

Insert the threaded rods on one corner post ② into holes located on one corner of table top.

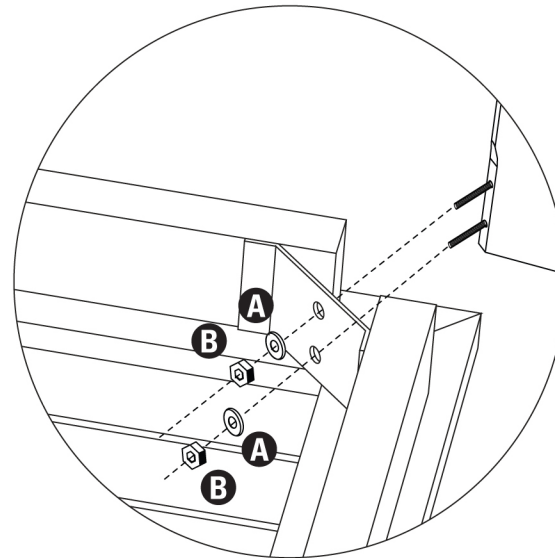


**Step 3**

Secure corner post to the table top using a metal washer **A** and hex nut **B**.

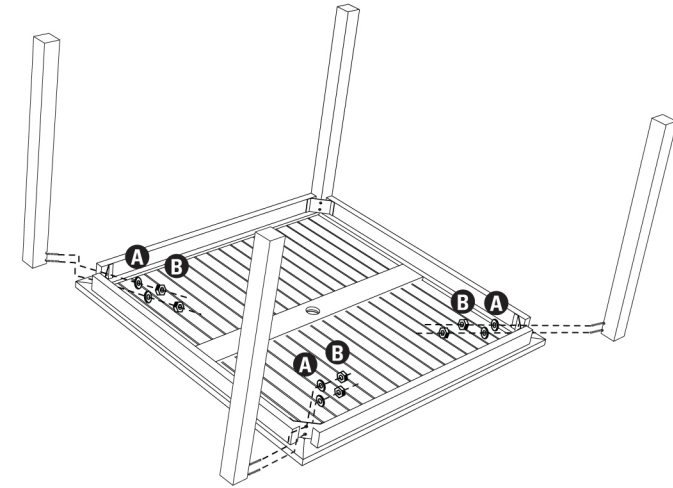


**Step 3 (detail)**



**Step 4**

Repeat steps 2 and 3 for the remaining 3 corner posts.



**Step 5**

Carefully turn the assembled dining table in an upright position.

