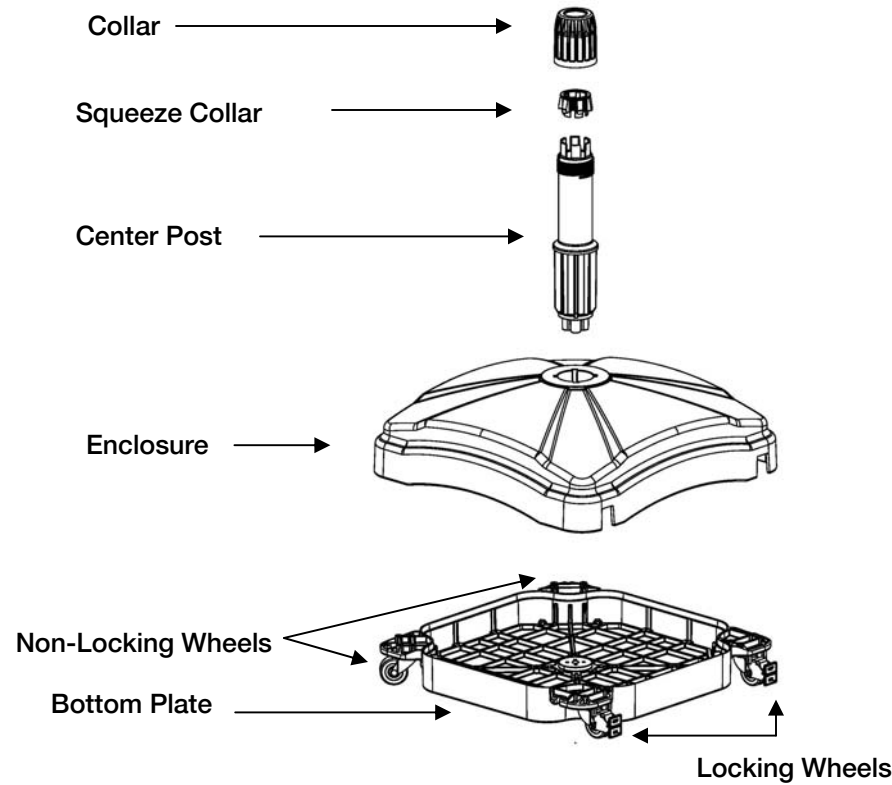


# PARTS LIST



<i>PARTS LIST</i>	<i>QTY</i>	<i>PART NUMBER</i>
Enclosure	1	RU22-6001
Bottom Plate	1	RU22-6002
Center Post	1	RU22-6003
Collar	1	RU22-6004
Squeeze Collar	1	RU22-6005
Locking Wheels	2	RU22-6010
Non-Locking Wheels	2	RU22-6011
Size #10 X 1 1/4" Phillips Head Screws	20	RU22-6019
Size #10 X 1 1/2" Phillips Screws Black	4	RU22-6020

Rolling Umbrellas LLC  
 Danville, CA  
[www.RollingUmbrellas.com](http://www.RollingUmbrellas.com)

If you have any questions please call our customer service center (925) 820-7800 or Toll Free (866) 752-3366, or send an email to [info@RollingUmbrellas.com](mailto:info@RollingUmbrellas.com)

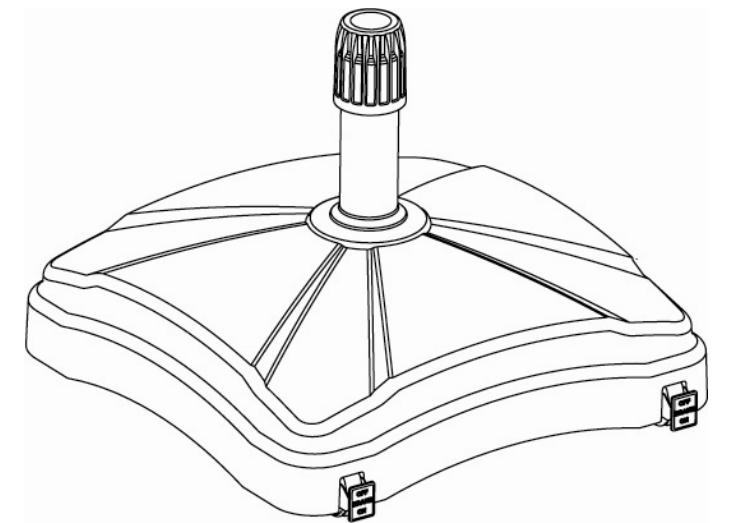
# SHADEMOBILE® ROLLING UMBRELLA BASE

## **CAUTION**

Before assembling the Shademobile®, read this manual and follow the Safety Instructions.

Requires Approx. 85 lbs of Sand  
 Or  
 12 Standard Size Bricks  
 (See inside for brick size)

Fits Standard 1 1/2"  
 Umbrella Pole



**Shademobile**®  
 ROLLING UMBRELLA BASES

# ASSEMBLY INSTRUCTIONS

## WEIGHT SPECIFICATIONS

*Bricks (12)	= 90 lb Base	Max brick size—2 1/2" x 4" x 8 1/4"
Sand (85 lbs)	= 110 lb Base	
Bricks and Sand (12 bricks and 35 lbs of sand)	= 125 lb Base	

\* We recommend using what are commonly called “used” red bricks which weigh approx. 5 1/2 lbs each. (Cement bricks may be used but will weigh less).

**NOTE:** All weights shown are approximate.

## SAFETY INSTRUCTIONS

1. DO NOT USE THE SHADEMOBILE BEFORE FILLING IT WITH WEIGHT.

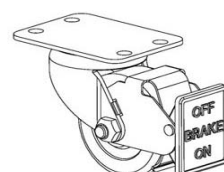
**NOTE: THE HEAVIER THE UMBRELLA BASE, THE MORE STABLE IT WILL BE. DO NOT USE IN WINDY CONDITIONS. ALWAYS CLOSE AND REMOVE YOUR UMBRELLA IN WINDY CONDITIONS.**

2. USE THE SHADEMOBILE ON FLAT SURFACES ONLY. THE LOCKING WHEELS ARE MEANT TO KEEP THE SHADEMOBILE LOCKED IN PLACE ON FLAT SURFACES. THE LOCKING WHEELS ARE NOT MEANT FOR LOCKING THE SHADEMOBILE IN PLACE ON SLOPED SURFACES.
3. KEEP THE LOCKING WHEELS LOCKED AT ALL TIMES, EXCEPT WHEN MOVING YOUR SHADEMOBILE. THE LOCKING WHEELS MAY WEAR DOWN OVER TIME MAKING THE BRAKE MECHANISM LESS EFFECTIVE. CHECK FOR WEAR AND REPLACE THE LOCKING WHEELS WHEN NECESSARY.
4. DO NOT ATTEMPT TO MOVE, LOCK, OR UNLOCK THE SHADEMOBILE WITH BARE FEET.
5. DO NOT ALLOW CHILDREN TO PLAY ON OR WITH THE SHADEMOBILE.

## LOCKING WHEEL INSTRUCTIONS

**NOTE:** DO NOT operate locking wheels with bare feet.

1. To lock - press down on the bottom part of the pedal marked ON
2. To unlock – press down on the top part of the pedal marked OFF.



Locked



Unlocked

Patented and Patents Pending

## Step 1 — FILLING THE UNIT

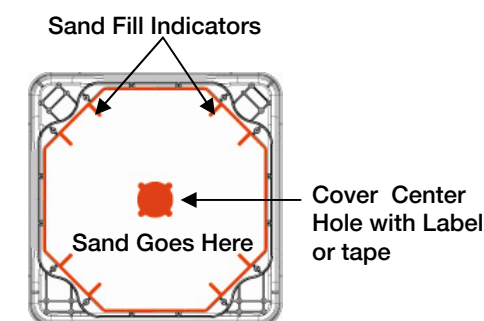
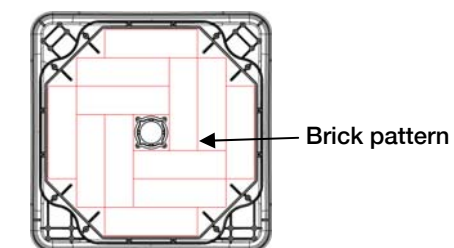
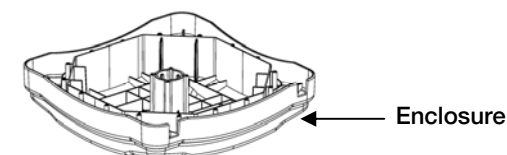
### Brick Option = 90 lb Base

- A. Turn the Enclosure upside down on the ground (Put a soft cloth or towel under the unit to protect it from dirt and debris).
- B. Place 12 clay bricks in the Enclosure in the pattern indicated.
- C. Skip to step 2.

### Sand Option = 110 lb Base

- A. Turn the Enclosure upside down on the ground (Put a soft cloth or towel under the unit to protect it from dirt and debris).
- B. Cover the center hole with the enclosed label or tape as indicated to prevent sand from entering this area.
- C. Fill sand (approx. 85 lbs) to 1/4" below the top edge of the Enclosure's inside wall (see the sand fill indicators located in the 4 corners of the Enclosure).
- D. Remove the label from the center hole.

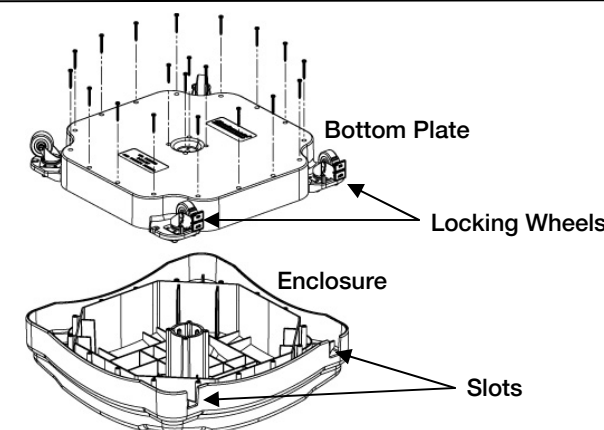
**Brick and Sand Option = 125 lb Base**—Combine both options shown above by filling the enclosure with sand below and above the bricks.



## Step 2 — ASSEMBLY

- A. While the unit is still upside down, place the Bottom Plate on the Enclosure. Make sure the 2 locking wheels on the bottom plate are aligned with the 2 slots on the Enclosure.
- B. Fasten the Bottom Plate to the Enclosure with the twenty 1 1/4" screws provided.

**NOTE:** Do not over-tighten the screws. Over-tightening may strip the holes.



## Step 3 — ATTACH CENTER POST

- A. Holding the Shademobile on its side, place the Center Post into the center hole in the top of the Enclosure.
- B. Fasten the Center Post from underneath the Bottom Plate with the four 1 1/2" black screws provided.

**NOTE:** Do not over-tighten the screws. Over-tightening may strip the holes.

- C. Turn the Shademobile to its upright position with the wheels on the ground.

